



Magnum Force Series

Asphalt Shingle Grinder and Material Re grinder

Shingle Pro XL 406

Specifications

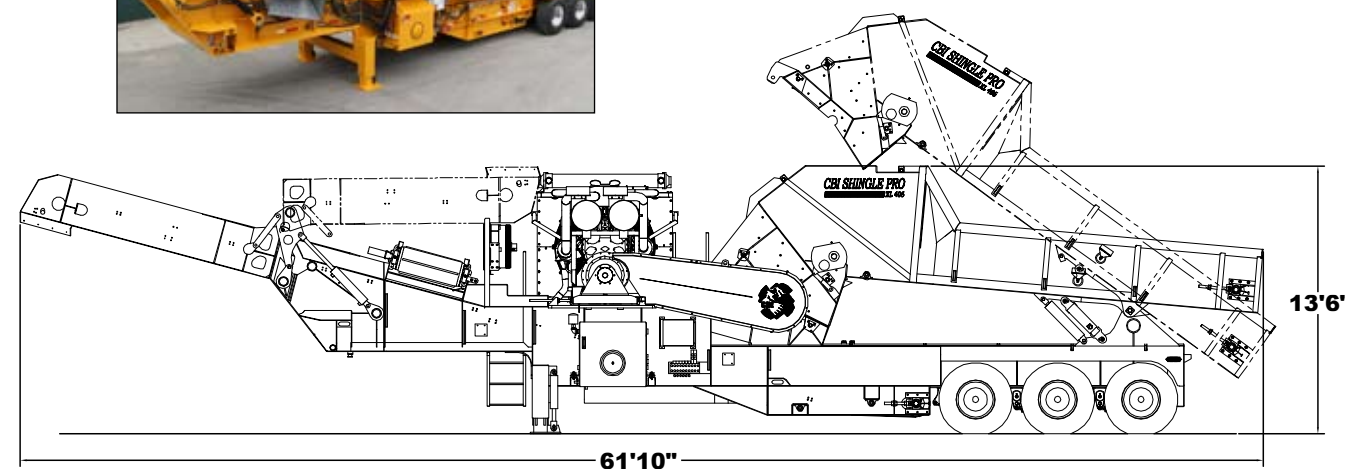
Overall	
Length	61' 10"
Height	13' 6"
Width	9' 10"
Weight	Approx. 76,500 lb
Feed Conveyor	
Length	20'
Width	60"
Motor	High-torque Char-lynn/Dodge
Discharge Conveyor	
Length	42'
Width	60"
Discharge Height	12' 6"
Motor	High-torque Char-lynn
Equipment Protection	
	Metal Detection System that automatically reverses feed system should rotor contact steel. Shear pins for anvil and screens

Dust Control/ Color Injection System	
	Completely integrated water spray system
Hydraulics	
Type	Load Sensing
Throughput	
	80-150 tons/hour
Power Unit	
Engine	CAT C27; 1050 hp or C18; 765 hp
Drive	V belt with guarding
Flexxaire® Fan	Reversing pitch radiator fan that reverses airflow automatically every 5-15 minutes (adjustable)
Rotor (forged)	
Diameter	40"
Width	60"
Hammers	24 weld-on
Tips	24 bolt-on
Fuel Tank	
Capacity	360 gallons (1363 liters)
Electrical	
	Parker IQAN™ Control system with IntelliGrind proportional feed system; radio remote control for all essential functions; local control panel; 2 strategically located E-Stops
Options	
• Overband Magnet	To remove ferrous metal
• Hydraulics	To operate external radial stacking conveyor; both conveyor and radial stacker are radio remote controlled

Features

- Purpose-built for recycling asphalt shingles **and** regrinding of all types of material to a small uniform end product
- Designed for single-pass processing to finished end product
- Heavy-duty, quality construction
- Split hog box for safe and easy maintenance
- Highest throughput and lowest cost per ton of any system available
- CAT C27; 1050 hp
- Water-to-water cooling system
- Integrated built-in water system to control dust. **Doubles as a color injection system**
- Enclosed discharge conveyor for dust containment
- Metal Release System protects rotor, anvil and screens
- Parker IQAN™ control system with Radio Remote Control

CBI set out to build the best shingle processing machine available on the market. Because shingle grinding is one of the toughest applications a machine can be built for, our design features also make it ideally suited for high-volume reprocessing of all types of material into a small uniform end product. This includes wood and bark reground into the highest quality mulch, or any other feed stock that requires regrinding into material such as pellet feed stock, pulverized fuel, or waste material into kiln fuel.



Description

Advanced features of the Shingle Pro XL 406 include our unique hog box design, which allows the upper hog box and bonnet assembly to hydraulically lift to expose the rotor and grates for safer and easier maintenance; a heavy-duty reinforced housing with bolt-in Hardox 450 replaceable wear liners; and a completely integrated water spray system designed to control dust in the grinding chamber (also doubles as a color injection system.) The rugged 60" wide forged rotor with heavy-duty hammers and tips is locked to the shaft by two locking assemblies, and the heavy-duty anvil is protected by two shear pins supported by adjustable shear pin blocks. Adding to its durability and productivity, the Shingle Pro's grate frame is supported by four 2" diameter shear pins, and the two AR 450 grate liners allow for a full 180 degrees of cutting surface. The machine's frame construction is specially made from formed plate for highest rigidity and strength and is designed to tie together the feed conveyor, hog box, motor, and discharge conveyor.

Feed Conveyor

The 20' long x 60" wide feed conveyor has a funneling design that facilitates continuous feed to the hog chamber. The open-ended design and extra-large capacity simplifies feeding and accommodates large material surges. It features an impact plate in the bottom, a blade scraper located on the 18" shielded head pulley, a 16" tail pulley, and a high-torque hydraulic drive coupled to a Dodge gearbox. The feed conveyor is open-ended to allow ungrindable

material to be discharged out the back and is designed to be fed by a loader or excavator.

Power Unit

The Shingle Pro XL 406 is powered by a CAT C27, 1050 hp (optional C18, 765 hp) electric start engine and is supplied with an AKG radiator that includes a disposable foam filter to prevent clogging; a water-to-water heat exchange system to reduce the needed air flow through the radiator; a Flexxaire self-cleaning, auto reversible fan; a twin disc clutch; Donaldson air filter; dual exhaust muffler; and a 24-volt DC battery. The second-generation IntelliGrind control system by Parker IQAN™ provides increased monitoring and protection, and the radio remote control with full mechanical backup runs all functions of the machine.

Discharge System

The completely covered discharge conveyor is 42' long and 60" wide and features heavy-duty head and tail pulleys and a 220 2-ply oil resistant belt, which rides in a steel bed under the hog box. It is driven by a direct-coupled hydraulic drive. There are dual belt scrapers on the discharge chute and no transition point so spillage and cleanup are eliminated. The optional CBI Magnum Overband Magnet features an extra strong 27" x 60" x 7.5" permanent magnet enclosed in a special stainless steel frame with deflectors and a 36" pulley-driven belt. This magnet allows for the most effective removal of metal and maximum performance. The upper section of the discharge conveyor folds hydraulically for transport.



The CBI difference: Fuel the Future™

Continental Biomass Industries, Inc.

World's Best Stationary and Portable Material Recovery Systems
22 Whittier Street, Newton, NH 03858
Phone: 603-382-0556 Fax: 603-382-0557
Web: cbi-inc.com Email: info@cbi-inc.com

www.cbi-inc.com

Distributed by: